

XG6500

XG SERIES Commercial/Residential Portable Generators

Features

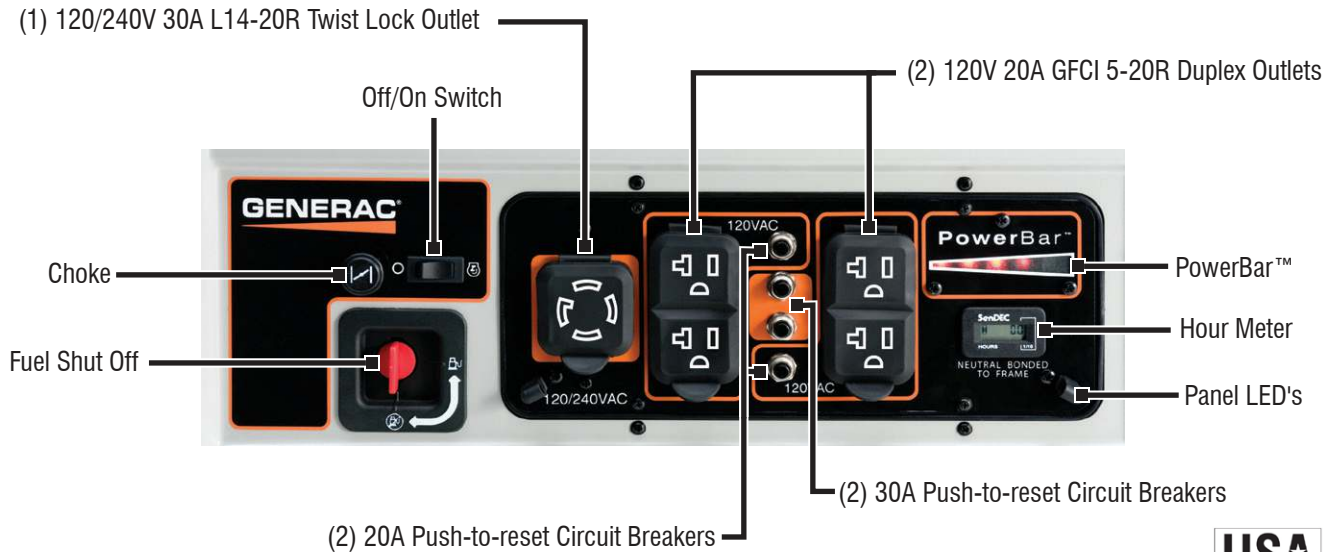
- **Generac OHVI® engine** incorporates full pressure lubrication with automotive style spin on oil filter for longer life engine.
- **Powerbar™** easily monitors power wattage.
- **Illuminated LED control panel** for improved visibility.
- **Hour meter** with maintenance resets tracks usage and monitors maintenance cycles.
- **Large-capacity steel fuel tank** with incorporated fuel gauge provides durability and extended run times.
- **Low-oil pressure shutdown** automatically safeguards engine from damage.
- **Covered outlets** provides added protection from the environment and rugged working conditions.
- **Full-wrap, heavy-duty, 1 1/4" steel tube cradle** for added durability and strength.
- **Heavy-duty, never flat wheels** for reliable portability.
- **User-friendly design** has conveniently placed engine controls for simple operation and easy start-up.
- **Fold-down, locking handle** for sturdy portability and compact storage.
- **First oil and maintenance kit included.**

Model 5796-1 UPC: 696471057966
(EPA/49-State)



AC Rated Output Running Watts 6500
AC Maximum Output Starting Watts 8125

49-State Control Panel



XG6500

Specifications

Product Series	XG6500
Model (Configuration)	5796-1 (EPA/49-State)
AC Rated Output Running Watts	6500
AC Maximum Output Starting Watts	8125
Rated AC Voltage	120/240 VAC
Rated AC Frequency	60 Hz
Rated 120/240 VAC Amperage	54.2/27.1
Max 120/240 VAC Amperage	67.7/33.9
Engine Displacement	407cc
Engine Type	OHVI
Engine RPM	3600
Recommended Oil	10W-30 / SAE 30
Lubrication Method	Oil Pump
Automatic Voltage Regulation (AVR)	Yes
Choke Location	On Control Panel
Fuel Shut Off	On Control Panel
Starting Method	Recoil Pull Start
Low Oil Shutdown	Low Pressure
Neutral Bonded to Ground	Yes

Start Switch Type	Off/On Switch
Switch Location	On Control Panel
Fuel Gauge	Built-in Tank
Fuel Tank Capacity Gal (Ltrs)	9 (34)
Run Time at 50% (Hours)	10
Handle Style	Folding Interlocked
Wheel Type	9.5" Semi-Solid Wheels
Maintenance Kit	Included
Warranty- Residential	2 Year
Warranty- Commercial	1 Year

Dimensions and Weights

Length in (mm)	31.5 (800)
Width in (mm)	25.5 (648)
Height in (mm)	28 (711)
Extended Length in (mm)	48.5 (1232)
Carton Length in (mm)	33 (838)
Carton Width in (mm)	26 (660)
Carton Height in (mm)	25 (635)
Unit Weight lbs (kg)	225 (102)
Shipping Weight lbs (kg)	230 (104)

