

XG6400E

XG SERIES Commercial/Residential Portable Generators

Features

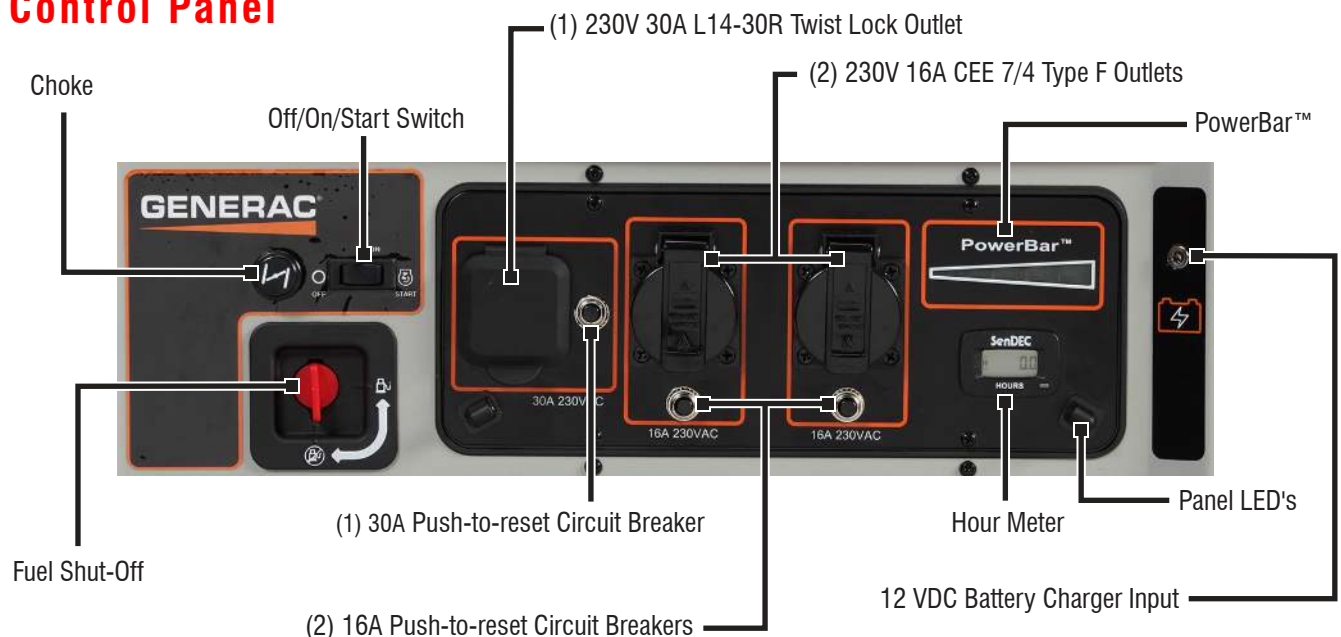
Model 6221-0 UPC: 696471062212 (GOST-R)

- **Generac OHVI® engine** provides full-pressure lubrication with automatic low-oil pressure shut down.
- **Illuminated LED control panel** for improved visibility.
- **Powerbar™** monitors power usage.
- **Engine controls located on control panel** for simple operation and easy start-up
- **One-touch automatic electric start** with external plug-in battery charger to keep battery charged and ready to go.
- **Full-wrap, heavy-duty frame tubing** provides strong, durable protection for rugged environments.
- **All-terrain, never flat wheels** for reliable portability.
- **Hour meter** with maintenance resets.
- **Covered outlets** provide added protection from the environment and adverse working conditions.
- **Low-oil pressure shutdown** automatically safeguards engine from damage.



AC Rated Output Running Watts 6400
AC Maximum Output Starting Watts 9600

Control Panel



XG6400E

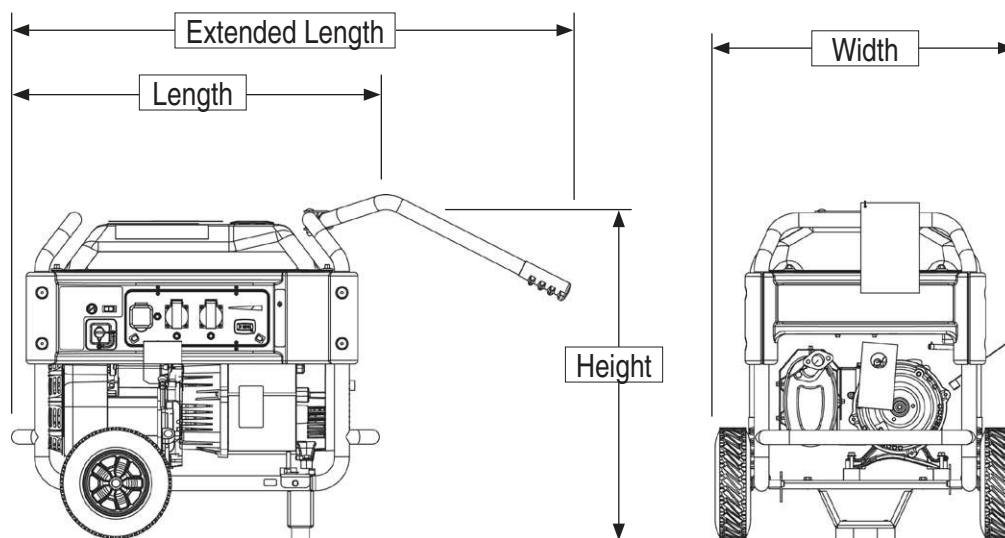
Specifications

| | |
|---|----------------------------|
| Product Series | XG6400E |
| Model | 6221-0 |
| Configuration/Emissions | GOST-R |
| AC Rated Output Running Watts: | 6400 |
| AC Maximum Output Motor Starting Watts: | 9600 |
| AC Voltage | 230 VAC |
| AC Frequency | 50 Hz |
| Rated VAC Amperage | 27.8 |
| Engine Displacement | 407cc |
| Engine Type | OHVI |
| Engine RPM | 3000 |
| Recommended Oil | 10W-30 / SAE30 |
| Lubrication Method | Oil Pump |
| Automatic Voltage Regulation (AVR) | Yes |
| Choke Location | On Control Panel |
| Fuel Shut Off | On Control Panel |
| Starting Method | Electric/Recoil Pull Start |
| Battery | Included |
| Battery Type | 12 VDC |
| Battery Wall Charger Adapter | Included |
| Low Oil Shutdown Method | Low Pressure |

| | |
|-----------------------------------|---|
| Start Switch Type | On/Off/Start |
| Switch Location | On Control Panel |
| Fuel Gauge | Built-in Tank |
| Fuel Tank Capacity - Liters (Gal) | 34 (9) |
| Run Time at 50% (Hours) | 10 |
| Cord Set | 1m Long 30A Twist-lock to 32A 230V Euro Connector |
| Handle Style | Fold-down locking |
| Wheel type mm (in) | 241 (9.5) Semi-Solid |
| Maintenance Kit | Included |
| Warranty - Residential | 2 Year Limited |
| Warranty - Commercial | 1 Year Limited |

Dimensions and Weights

| | |
|-------------------------|-------------|
| Length mm (in) | 800 (31.5) |
| Width mm (in) | 648 (25.5) |
| Height mm (in) | 711 (28) |
| Extended Length mm (in) | 1232 (48.5) |
| Carton Length (in) | 838 (33) |
| Carton Width (in) | 660 (26) |
| Carton Height (in) | 610 (24) |
| Unit Weight kg (lb) | 107 (235) |
| Shipping Weight kg (lb) | 113 (250) |



Generac Power Systems, Inc. • P.O. Box 8, Waukesha, WI 53187 • generac.com

©2013 Generac Power Systems, Inc. All rights reserved. All specifications are subject to change without notice. Bulletin 0196310-A / Printed in U.S.A. 09/23/13