

GP5500

GP SERIES Commercial/Residential Portable Generators

Features

- **The Generac OHV engine** with splash lubrication provides a long engine life.
- **Large-capacity steel fuel tank** with incorporated fuel gauge provides durability and extended run times.
- **Low-oil level shutdown** automatically safeguards engine from damage.
- **Hardened 1 1/4" steel tube cradle** for added durability and strength.
- **Fold-down, locking handle** for sturdy portability and compact storage.
- **Hour Meter** tracks maintenance intervals.
- **Heavy-duty, never flat wheels** for reliable portability.
- **Covered outlets** provides added protection from the environment and rugged working conditions.

Models 5939-5 / 5939-6 UPC: 696471059397 (49ST)

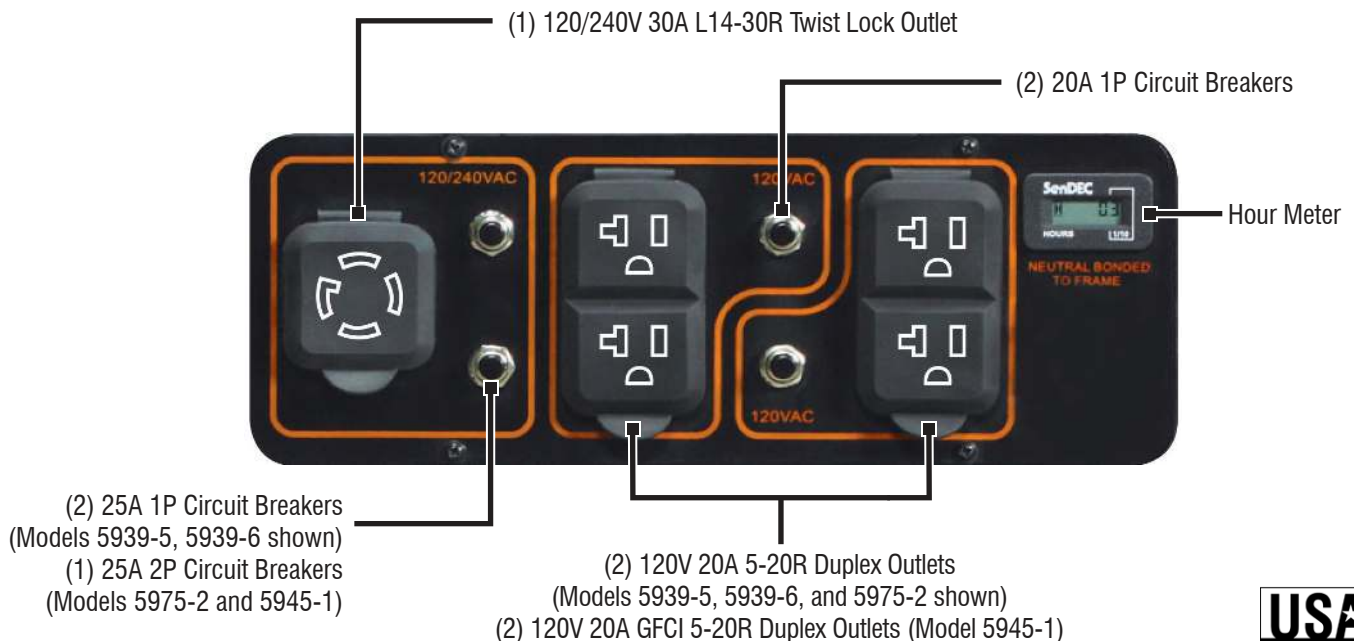
Model 5975-2 UPC: 696471059755 (49ST/Canada)

Model 5945-1 UPC: 696471059458 (California)



AC Rated Output Running Watts 5500
AC Maximum Output Starting Watts 6875

49-State Control Panel



GP5500

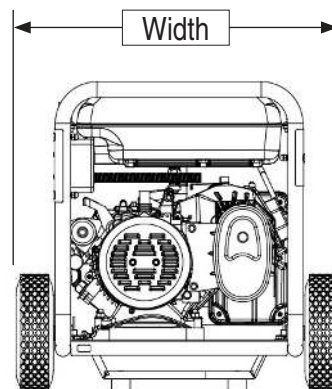
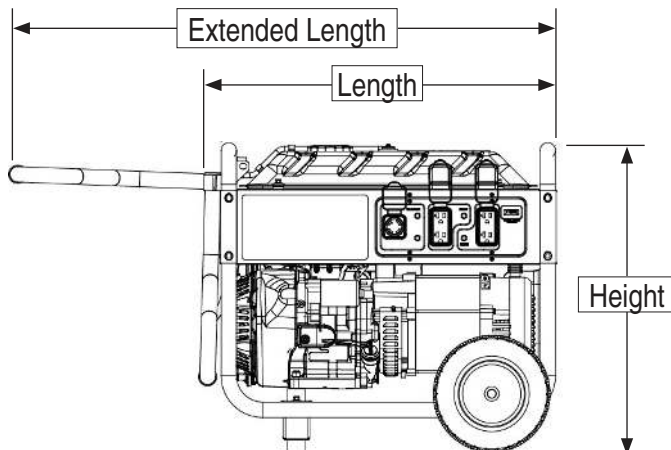
specifications

Product Series	GP5500
Model (Configuration)	5939-5 / 5939-6 (EPA) 5975-2 (EPA/CSA) 5945-1 (EPA/CARB)
AC Rated Output Running Watts:	5500
AC Maximum Output Motor Starting Watts:	6875
AC Voltage	120/240 VAC
AC Frequency	60 Hz
Rated VAC Amperage	45.8/22.9
Max Rated VAC Amperage	57.3/28.6
Engine Displacement	389cc
Engine Type	OHV
Engine RPM	3600
Recommended Oil	10W-30 / SAE30
Lubrication Method	Splash
Automatic Voltage Regulation (AVR)	Yes
Choke Location	On Engine
Fuel Shut Off	On Fuel Tank
Starting Method	Recoil Pull Start
Low Oil Shutdown Method	Low Level
Neutral Bonded to Ground	Yes

Start Switch Type	On/Off Switch
Switch Location	On Engine
Fuel Gauge	Built-In Tank
Fuel Tank Capacity Gal (Ltr)	7.2 (27.3)
Run Time at 50% (Hours)	10
Handle Style	Single Folding / Locking
Wheel Type	9.5" Solid Wheels
Maintenance Kit	Sold Separately
Warranty - Residential	2 Year Ltd
Warranty - Commercial	1 Year Ltd

Dimensions and Weights

	Models 5939-5 / 5939-6	Model 5975-2	Model 5945-1
Length in (mm)	27.25 (692)		
Width in (mm)	27 (687)		
Height in (mm)	25 (638)		
Extended Length in (mm)	44.5 (1129)		
Carton Length in (mm)	31 (790)		
Carton Width in (mm)	21.5 (550)		
Carton Height in (mm)	23.25 (590)		
Unit Weight lbs (kg)	170.9 (81.3) / 171 (77.5)	170.9 (81.3)	
Shipping Weight lbs (kg)	193 (87.4)		



Generac Power Systems, Inc. • P.O. Box 8, Waukesha, WI 53187 • generac.com

©2013 Generac Power Systems, Inc. All rights reserved. All specifications are subject to change without notice. Bulletin 0196610-A / Printed in U.S.A. 09/23/13