

GP3250

GP SERIES Commercial/Residential Portable Generators

Features

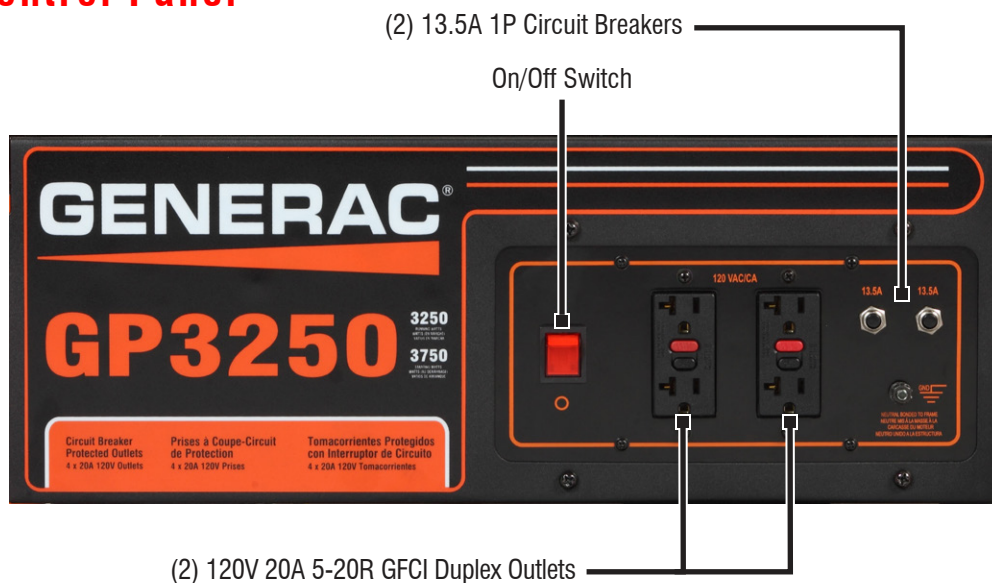
Model 5789-0 UPC: 696471057898
(50ST)

- **The Generac OHV engine** incorporates splash lubrication and provides long life.
- **Large-capacity steel fuel tank** with incorporated fuel gauge provides durability and extended run times.
- **Low-oil level shutdown** automatically safeguards engine from damage.
- **Hardened 1" steel tube cradle** for added strength and durability.
- **Heavy-duty, never flat wheels** for reliable portability.



AC Rated Output Running Watts 3250
AC Maximum Output Starting Watts 3750

CARB Control Panel



GP3250

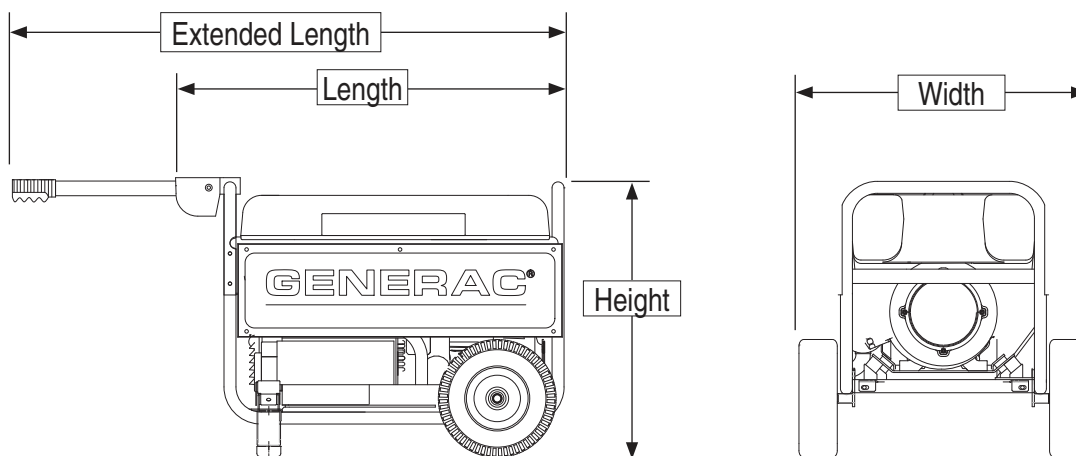
specifications

Product Series	GP3250
Model	5789-0
Configuration/Emissions	EPA, CARB
AC Rated Output Running Watts:	3250
AC Maximum Output Motor Starting Watts:	3750
AC Voltage	120 VAC
AC Frequency	60 Hz
Rated VAC Amperage	27.0
Max Rated VAC Amperage	31.25
Engine Displacement	208cc
Engine Type	OHV
Engine RPM	3600
Recommended Oil	10W-30 / SAE30
Lubrication Method	Splash
Automatic Voltage Regulation (AVR)	Yes
Choke Location	On Engine
Fuel Shut Off	On Fuel Tank
Starting Method	Recoil Pull Start
Low Oil Shutdown Method	Low Level
Neutral Bonded to Ground	Yes

Start Switch Type	On/Off Switch
Switch Location	On Control Panel
Fuel Gauge	Built-In Tank
Fuel Tank Capacity Ltrs (Gal)	15 (4)
Run Time at 50% (Hours)	12.5
Handle Style	Single Folding
Wheel Type	7" Solid Wheels
Maintenance Kit	Sold Separately
Warranty - Residential	2 Year Ltd
Warranty - Commercial	1 Year Ltd

Dimensions and Weights

Length in (mm)	23.25 (592)
Width in (mm)	21 (535)
Height in (mm)	19.75 (500)
Extended Length in (mm)	41.5 (1052)
Carton Length in (mm)	24.5 (625)
Carton Width in (mm)	18.5 (470)
Carton Height in (mm)	19.75 (500)
Unit Weight lbs (kg)	101.5 (46)
Shipping Weight lbs (kg)	106 (48)



GENERAC[®]

Generac Power Systems, Inc. • P.O. Box 8, Waukesha, WI 53187 • generac.com

©2013 Generac Power Systems, Inc. All rights reserved. All specifications are subject to change without notice. Bulletin 0196600-A / Printed in U.S.A. 09/18/13