

GP2600

GP SERIES Commercial/Residential Portable Generators

Features

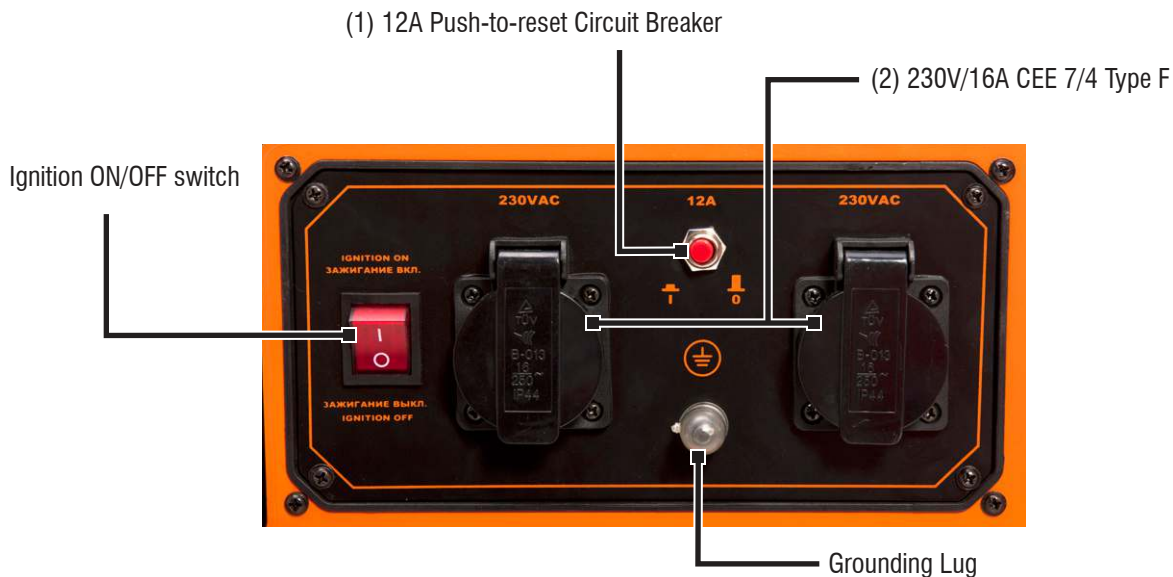
Model 6217-0 UPC: 696471062175 (GOST-R)

- **The Generac OHV Engine** incorporates splash lubrication and provides long life.
- **Large-capacity steel fuel tank** with incorporated fuel gauge provides durability and extended run times.
- **Low-oil level shutdown** automatically safeguards engine from damage.
- **Circuit breaker protected outlets**
- **Fold-down handle** for easy mobility and storage.
- **Never-flat wheels** for reliable portability.
- **Hardened 1" steel tube cradle** for added strength and durability.



AC Rated Output Running Watts 2600
AC Maximum Output Starting Watts 3900

Control Panel



GP2600

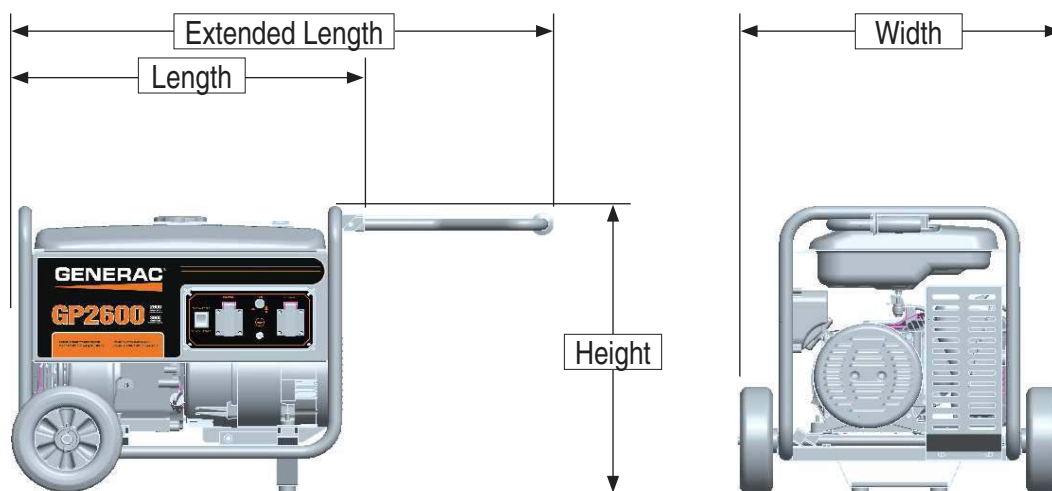
specifications

Product Series	GP2600
Model	6217-0
Configuration/Emissions	GOST-R
AC Rated Output Running Watts:	2600
AC Maximum Output Motor Starting Watts:	3900
A/C Voltage	230 VAC
A/C Frequency	50 Hz
Rated VAC Amperage	11.3
Engine Displacement	208cc
Engine Type	OHV
Engine RPM	3000
Recommended Oil	10W-30 / SAE30
Lubrication Method	Splash
Automatic Voltage Regulation (AVR)	Yes
Choke Location	On Engine
Fuel Shut Off	On Fuel Tank
Starting Method	Recoil Pull Start
Low Oil Shutdown Method	Low Level

Start Switch Type	On/Off Switch
Switch Location	On Control Panel
Fuel Gauge	Built-In Tank
Fuel Tank Capacity Ltrs (Gal)	13 (3.5)
Run Time at 50% (Hours)	12.5
Handle Style	Single Fold-down
Wheel type mm (in)	203 (8) Solid
Maintenance Kit	Sold Separately
Warranty - Residential	2 Year Ltd
Warranty - Commercial	1 Year Ltd

Dimensions and Weights

Length mm (in)	580 (22.75)
Width mm (in)	558 (22)
Height mm (in)	533 (21)
Extended Length mm (in)	960 (37.75)
Carton Length mm (in)	640 (25.25)
Carton Width mm (in)	450 (17.75)
Carton Height mm (in)	485 (19)
Unit Weight kg (lbs)	50 (110)
Shipping Weight kg (lbs)	52 (114.5)



GENERAC[®]

Generac Power Systems, Inc. • P.O. Box 8, Waukesha, WI 53187 • generac.com

©2013 Generac Power Systems, Inc. All rights reserved. All specifications are subject to change without notice. Bulletin 0196300-A / Printed in U.S.A. 09/23/13